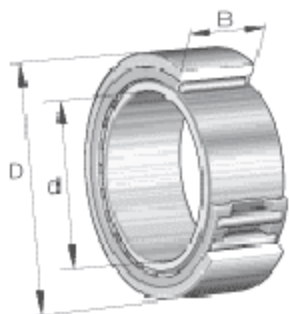




# Needle roller bearings NAO

without ribs

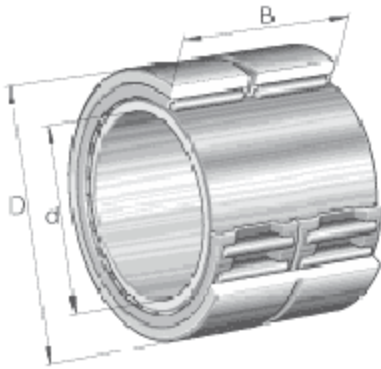


	d	D	B			
	mm	mm	mm			
<b>NAO6X17X10-TV-IS1</b>	6	17	10		CAD	
<b>NAO9X22X12-TV</b>	9	22	12		CAD	
<b>NAO12X24X13</b>	12	24	13		CAD	
<b>NAO12X28X12-IS1</b>	12	28	12		CAD	
<b>NAO15X28X13</b>	15	28	13		CAD	
<b>NAO15X32X12-IS1</b>	15	32	12		CAD	
<b>NAO17X30X13</b>	17	30	13		CAD	
<b>NAO17X35X16</b>	17	35	16		CAD	
<b>NAO20X35X17</b>	20	35	17		CAD	
<b>NAO20X37X16</b>	20	37	16		CAD	
<b>NAO25X40X17</b>	25	40	17		CAD	
<b>NAO25X42X16-IS1</b>	25	42	16		CAD	
<b>NAO30X45X17</b>	30	45	17		CAD	
<b>NAO30X47X16</b>	30	47	16		CAD	
<b>NAO30X47X18</b>	30	47	18		CAD	
<b>NAO35X50X17</b>	35	50	17		CAD	
<b>NAO35X55X20</b>	35	55	20		CAD	
<b>NAO40X55X17</b>	40	55	17		CAD	
<b>NAO50X68X20-IS1</b>	50	68	20		CAD	
<b>NAO70X100X30</b>	70	100	30		CAD	
<b>NAO80X110X30</b>	80	110	30		CAD	
<b>NAO90X120X30</b>	90	120	30		CAD	



## Needle roller bearings NAO..-ZW-ASR1

without ribs, double row



d	D	B
mm	mm	mm

**NAO25X42X32-ZW-ASR1**

25 42 32



CAD



**NAO30X45X26-ZW-ASR1**

30 45 26



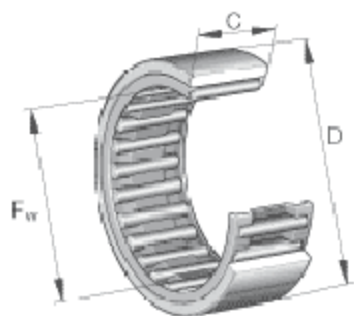
CAD




















# Needle roller bearings RNAO

without ribs



	$F_w$ mm	D mm	C mm			
<b>RNAO5X10X8-TV</b>	5	10	8			
<b>RNAO6X13X8-TV</b>	6	13	8			
<b>RNAO7X14X8-TV</b>	7	14	8			
<b>RNAO8X15X10-TV</b>	8	15	10			
<b>RNAO10X17X10-TV</b>	10	17	10			
<b>RNAO12X22X12-TV</b>	12	22	12			
<b>RNAO15X23X13</b>	15	23	13			
<b>RNAO16X24X13</b>	16	24	13			
<b>RNAO16X28X12</b>	16	28	12			
<b>RNAO17X25X13</b>	17	25	13			
<b>RNAO20X28X13</b>	20	28	13			
<b>RNAO20X32X12</b>	20	32	12			
<b>RNAO22X30X13</b>	22	30	13			
<b>RNAO22X35X16</b>	22	35	16			
<b>RNAO25X35X17</b>	25	35	17			
<b>RNAO25X37X16</b>	25	37	16			
<b>RNAO30X40X17</b>	30	40	17			
<b>RNAO30X42X16</b>	30	42	16			
<b>RNAO35X45X13</b>	35	45	13			
<b>RNAO35X45X17</b>	35	45	17			
	$F_w$ mm	D mm	C mm			
<b>RNAO35X47X16</b>	35	47	16			
<b>RNAO35X47X18</b>	35	47	18			
<b>RNAO40X50X17</b>	40	50	17			
<b>RNAO40X55X20</b>	40	55	20			
<b>RNAO45X55X17</b>	45	55	17			
<b>RNAO50X62X20</b>	50	62	20			
<b>RNAO50X65X20</b>	50	65	20			
<b>RNAO55X68X20</b>	55	68	20			
<b>RNAO60X78X20</b>	60	78	20			
<b>RNAO65X85X30</b>	65	85	30			

Needle roller bearings - RNAO

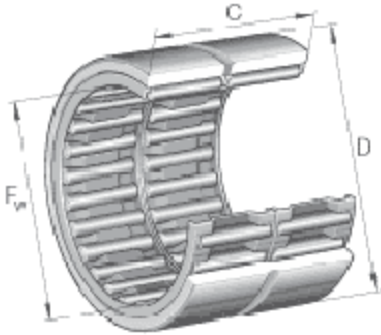
<b>RNAO70X90X30</b>	70	90	30			
<b>RNAO80X100X30</b>	80	100	30			
<b>RNAO90X105X26</b>	90	105	26			
<b>RNAO90X110X30</b>	90	110	30			
<b>RNAO100X120X30</b>	100	120	30			

**F<sub>w</sub>**   **D**   **C**  
mm   mm   mm



# Needle roller bearings RNAO..-ZW-ASR1

without ribs, double row



	<b>F<sub>w</sub></b>	<b>D</b>	<b>C</b>			
	mm	mm	mm			
<b>RNAO18X30X24-ZW-ASR1</b>	18	30	24			
<b>RNAO20X28X26-ZW-ASR1</b>	20	28	26			
<b>RNAO25X35X26-ZW-ASR1</b>	25	35	26			
<b>RNAO30X42X32-ZW-ASR1</b>	30	42	32			
<b>RNAO35X45X26-ZW-ASR1</b>	35	45	26			
<b>RNAO35X47X32-ZW-ASR1</b>	35	47	32			
<b>RNAO40X50X34-ZW-ASR1</b>	40	50	34			
<b>RNAO40X55X40-ZW-ASR1</b>	40	55	40			
<b>RNAO45X62X40-ZW-ASR1</b>	45	62	40			
<b>RNAO50X65X40-ZW-ASR1</b>	50	65	40			
<b>RNAO60X78X40-ZW-ASR1</b>	60	78	40			

**F<sub>w</sub>** **D** **C**  
mm mm mm