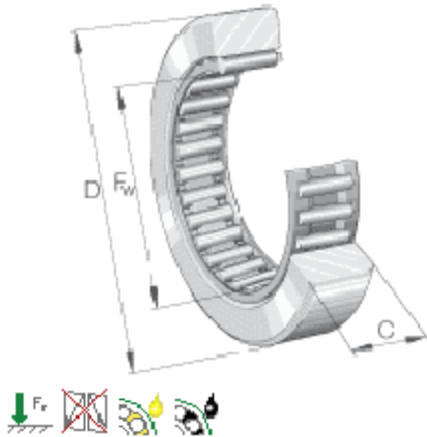


Yoke type track rollers RSTO

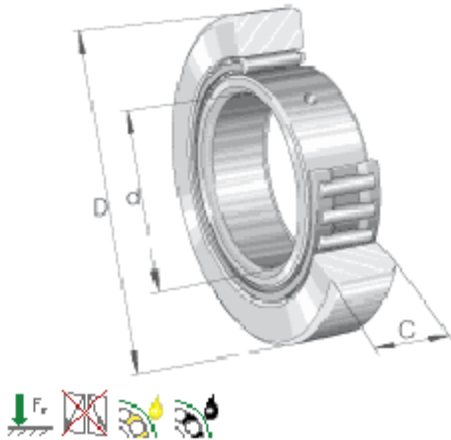
without axial guidance, outer ring without ribs



| | F_w | D | C | | | |
|-----------------|-------|-----|------|--|--|--|
| | mm | mm | mm | | | |
| RSTO5-TV | 7 | 16 | 7,8 | | | |
| RSTO6-TV | 10 | 19 | 9,8 | | | |
| RSTO8-TV | 12 | 24 | 9,8 | | | |
| RSTO10 | 14 | 30 | 11,8 | | | |
| RSTO12 | 16 | 32 | 11,8 | | | |
| RSTO15 | 20 | 35 | 11,8 | | | |
| RSTO17 | 22 | 40 | 15,8 | | | |
| RSTO20 | 25 | 47 | 15,8 | | | |
| RSTO25 | 30 | 52 | 15,8 | | | |
| RSTO30 | 38 | 62 | 19,8 | | | |
| RSTO35 | 42 | 72 | 19,8 | | | |
| RSTO40 | 50 | 80 | 19,8 | | | |
| RSTO45 | 55 | 85 | 19,8 | | | |
| RSTO50 | 60 | 90 | 19,8 | | | |
| | F_w | D | C | | | |
| | mm | mm | mm | | | |

Yoke type track rollers STO

without axial guidance, outer ring without ribs



| | d | D | B | | | |
|----------------|----------|----------|----------|--|--|--|
| | mm | mm | mm | | | |
| STO6-TV | 6 | 19 | 10 | | | |
| STO8-TV | 8 | 24 | 10 | | | |
| STO10 | 10 | 30 | 12 | | | |
| STO12 | 12 | 32 | 12 | | | |
| STO15 | 15 | 35 | 12 | | | |
| STO17 | 17 | 40 | 16 | | | |
| STO20 | 20 | 47 | 16 | | | |
| STO25 | 25 | 52 | 16 | | | |
| STO30 | 30 | 62 | 20 | | | |
| STO35 | 35 | 72 | 20 | | | |
| STO40 | 40 | 80 | 20 | | | |
| STO45 | 45 | 85 | 20 | | | |
| STO50 | 50 | 90 | 20 | | | |

d D B
mm mm mm