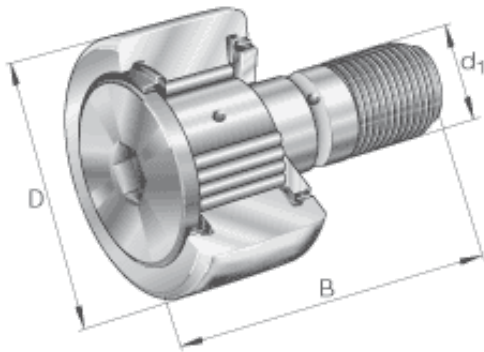


Stud type track rollers KRV...-PP

with axial guidance, full complement needle roller set, plastic axial plain washers on both sides



	D	d₁	B			
	mm	mm	mm			
KRV16-PP	16	6	28			
KRV19-PP	19	8	32			
KRV22-PP	22	10	36			
KRV26-PP	26	10	36			
KRV30-PP	30	12	40			
KRV32-PP	32	12	40			
KRV35-PP	35	16	52			
KRV40-PP	40	18	58			
KRV47-PP	47	20	66			
KRV52-PP	52	20	66			
KRV62-PP	62	24	80			
KRV72-PP	72	24	80			
KRV80-PP	80	30	100			
KRV90-PP	90	30	100			

D **d₁** **B**
mm mm mm