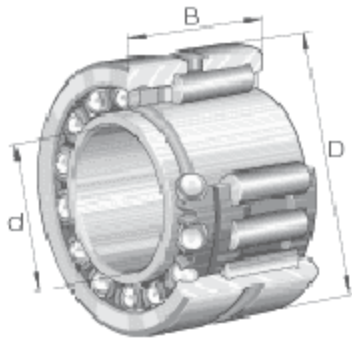




# Needle roller/angular contact ball bearings NKIA

single direction axial component, to DIN 5 429-2



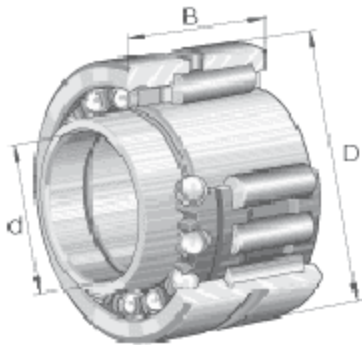
	<b>d</b>	<b>D</b>	<b>B</b>			
	mm	mm	mm			
<b>NKIA5901</b>	12	24	16			
<b>NKIA5902</b>	15	28	18			
<b>NKIA5903</b>	17	30	18			
<b>NKIA5904</b>	20	37	23			
<b>NKIA59/22</b>	22	39	23			
<b>NKIA5905</b>	25	42	23			
<b>NKIA5906</b>	30	47	23			
<b>NKIA5907</b>	35	55	27			
<b>NKIA5908</b>	40	62	30			
<b>NKIA5909</b>	45	68	30			
<b>NKIA5910</b>	50	72	30			
<b>NKIA5911</b>	55	80	34			
<b>NKIA5912</b>	60	85	34			
<b>NKIA5913</b>	65	90	34			
<b>NKIA5914</b>	70	100	40			

**d D B**  
mm mm mm



# Needle roller/angular contact ball bearings NKIB

double direction axial component



	d	D	B			
	mm	mm	mm			
<b>NKIB5901</b>	12	24	17,5			
<b>NKIB5902</b>	15	28	20			
<b>NKIB5903</b>	17	30	20			
<b>NKIB5904</b>	20	37	25			
<b>NKIB59/22</b>	22	39	25			
<b>NKIB5905</b>	25	42	25			
<b>NKIB5906</b>	30	47	25			
<b>NKIB5907</b>	35	55	30			
<b>NKIB5908</b>	40	62	34			
<b>NKIB5909</b>	45	68	34			
<b>NKIB5910</b>	50	72	34			
<b>NKIB5911</b>	55	80	38			
<b>NKIB5912</b>	60	85	38			
<b>NKIB5913</b>	65	90	38			
<b>NKIB5914</b>	70	100	45			

**d D B**  
mm mm mm