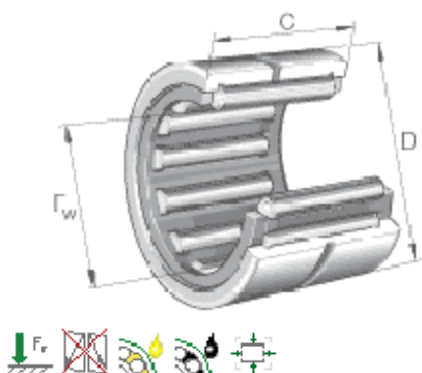




Needle roller bearings RNA49

dimension series 49, to DIN 617/ISO 1206



	F_w mm	D mm	C mm			
RNA4900	14	22	13			
RNA4901	16	24	13			
RNA4902	20	28	13			
RNA4903	22	30	13			
RNA4904	25	37	17			
RNA49/22	28	39	17			
RNA4905	30	42	17			
RNA49/28	32	45	17			
RNA4906	35	47	17			
RNA49/32	40	52	20			
RNA4907	42	55	20			
RNA4908	48	62	22			
RNA4909	52	68	22			
RNA4910	58	72	22			
RNA4911	63	80	25			
RNA4912	68	85	25			
RNA4913	72	90	25			
RNA4914	80	100	30			
RNA4915	85	105	30			
RNA4916	90	110	30			

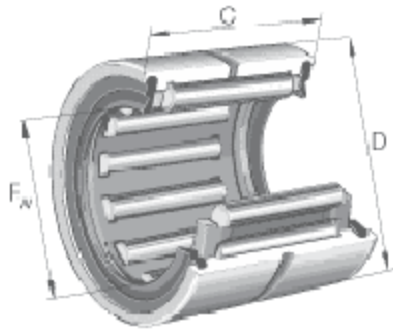
	F_w mm	D mm	C mm			
RNA4917	100	120	35			
RNA4918	105	125	35			
RNA4919	110	130	35			
RNA4920	115	140	40			
RNA4922	125	150	40			
RNA4924	135	165	45			
RNA4926	150	180	50			
RNA4928	160	190	50			

F_w D C
mm mm mm



Needle roller bearings RNA49..-RSR

dimension series 49, lip seal on one side



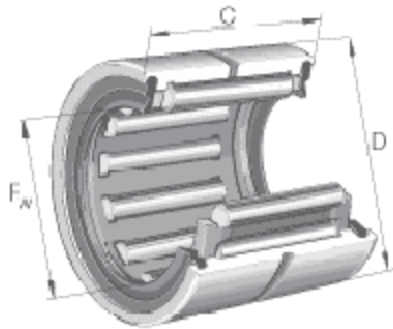
	F_w	D	C			
	mm	mm	mm			
RNA4900-RSR	14	22	13			
RNA4901-RSR	16	24	13			
RNA4902-RSR	20	28	13			
RNA4903-RSR	22	30	13			
RNA4904-RSR	25	37	17			
RNA4905-RSR	30	42	17			
RNA4906-RSR	35	47	17			
RNA4907-RSR	42	55	20			
RNA4908-RSR	48	62	22			
RNA4909-RSR	52	68	22			
RNA4910-RSR	58	72	22			

F_w D C
mm mm mm



Needle roller bearings RNA49..-2RSR

dimension series 49, lip seals on both sides



	F_w	D	C			
	mm	mm	mm			
RNA4900-2RSR	14	22	13			
RNA4901-2RSR	16	24	13			
RNA4902-2RSR	20	28	13			
RNA4903-2RSR	22	30	13			
RNA4904-2RSR	25	37	17			
RNA4905-2RSR	30	42	17			
RNA4906-2RSR	35	47	17			
RNA4907-2RSR	42	55	20			
RNA4908-2RSR	48	62	22			
RNA4909-2RSR	52	68	22			
RNA4910-2RSR	58	72	22			

F_w **D** **C**
mm mm mm