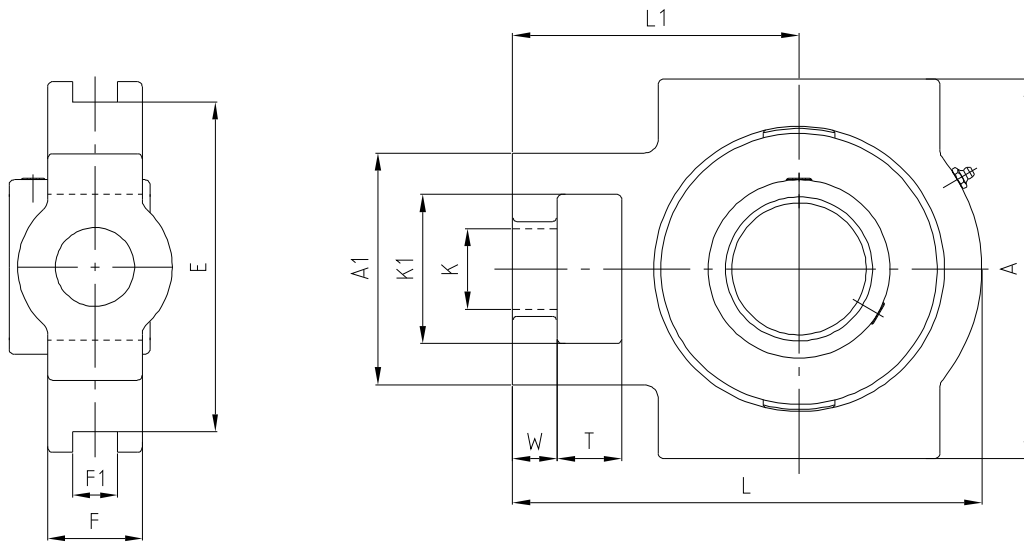


Housed Bearing Units

Series UCT 300

Ball bearings with grubscrew - regreaseable



Unit Ref	Shaft Diameter d mm	T	W	A ₁	K ₁	K	Dimensions mm	E	A	L	F	L ₁	B	N
UCT 305	25	16	12	62	36	26	12	80	89	122	26	76	38	15
UCT 306	30	18	14	70	41	28	16	90	100	137	28	85	43	17
UCT 307	35	20	15	75	45	30	16	100	111	150	32	94	48	19
UCT 308	40	22	17	83	50	32	18	112	124	162	34	100	52	19
UCT 309	45	24	18	90	55	34	18	125	138	178	38	110	57	22
UCT 311	55	29	21	105	66	39	22	150	163	207	44	127	66	25
UCT 312	60	31	23	113	72	41	22	160	178	220	46	135	71	26
UCT 313	65	32	25	116	70	43	26	170	190	238	50	146	75	30
UCT 314	70	36	25	130	85	46	26	180	202	252	52	155	78	33
UCT 315	75	36	25	132	85	46	26	192	216	262	55	160	82	32
UCT 316	80	42	28	150	98	53	30	204	230	282	60	174	86	34
UCT 317	85	42	30	152	98	53	32	214	240	298	64	183	96	40
UCT 318	90	46	30	160	106	57	32	228	255	312	66	192	96	40
UCT 319	95	46	31	165	106	57	35	240	270	322	72	197	103	41
UCT 320	100	48	32	175	115	59	35	260	290	345	75	210	108	42
UCT 312	105	48	32	175	115	59	35	260	290	345	75	210	112	44
UCT 322	110	52	38	185	125	65	38	285	320	385	80	235	117	46
UCT 324	120	60	42	210	140	70	45	320	355	432	90	267	126	51
UCT 326	130	68	45	220	150	75	50	350	385	465	100	285	135	54
UCT 328	140	70	50	230	160	80	50	380	415	515	100	315	145	59